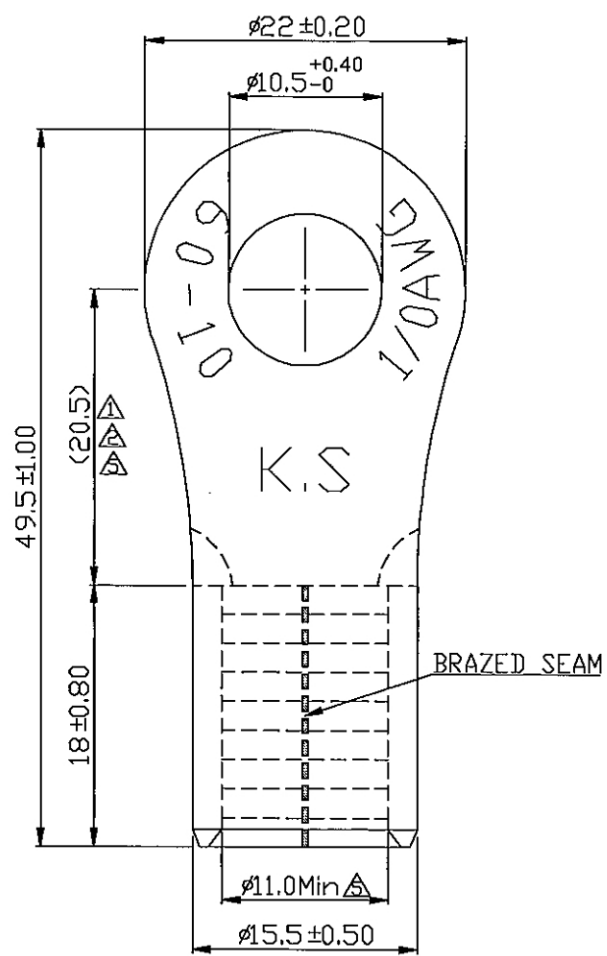


A B C D E F G H X



REV	DESCRIPTION	DATE
△		張馨尹 2007/10/24
△	RDK-97137	李晁忠 2008/07/03
△	RDK-98020	張馨尹 2009/09/08
△	RDC-100286	張馨尹 2011/08/25
△	RDCM-109022	林淑慎 2020/02/19

- NOTE :
1. MAXIMUM ELECTRIC CURRENT : $\frac{\text{A.W.G. } 1/0}{\text{AMP. } 230}$
 2. WIRE RANGE : 1/0 A.W.G. (60 mm^2)
 3. SURFACE TREATMENT : TIN PLATED
 4. THICKNESS : 1.8 mm
 - △ 5. () : MEAN REFERENCE.

△ Tolerance Unless Otherwise Specified	
0 >	mm ± ANGLE
>	mm ± ° REF ±
>	mm ± ° ±
>	mm ± ° ±

NAME	NON-INSULATED RING TERMINALS				UNIT	mm	
PART NO.	DR50-10	MATERIAL	COPPER	APPROVE			
NUMBER	KT-94282-C	SCALE	REV. SHEET	CHECKED			
DATE	2006/09/21	2/1	1-5	10F1	DRAWN	謝婉如	