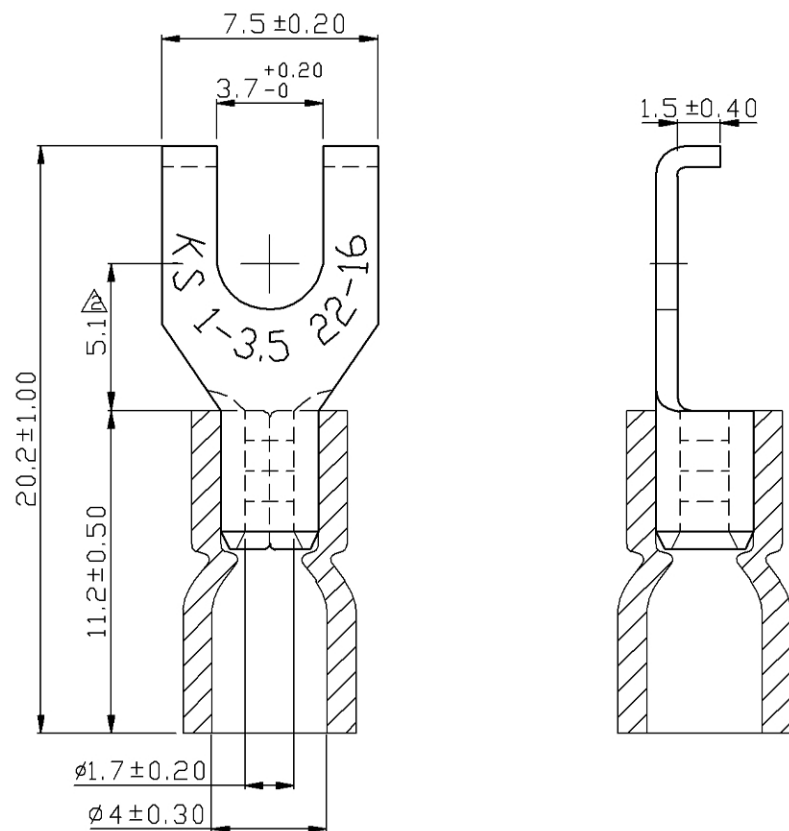


A B C D E F G H X

REV	DESCRIPTION	DATE
△	RDK-97048	張馨尹 2009/07/14
△	RDK-97127	張馨尹 2009/07/14
△	RDK-98020	張馨尹 2009/07/14



NOTE :

1. MAXIMUM ELECTRIC CURRENT :

A.W.G.	22	20	18	16
AMP.	9	12	17	18
2. MAXIMUM ELECTRICAL RATING : 105°C 600 VOLTS MAX.
3. INSULATION MATERIAL : VINYL
4. INSULATION COLOR : RED
5. TERMINAL MATERIAL : COPPER
6. WIRE RANGE : 22-16 A.W.G. (0.5-1.5 mm²)
7. TERMINAL SURFACE TREATMENT : TIN PLATED
8. TERMINAL THICKNESS : 0.75 mm

△	Tolerance Unless	
	Otherwise Specified	
0 >	mm ±	ANGLE
>	mm ±	0° > ° REF ±
>	mm ±	° > ° ±
>	mm ±	° > ° ±

NAME	VINYL-INSULATED(EASY ENTRY) FLANGE SPADE TERMINALS				UNIT	mm	
PART NO.	DVF1-3F	MATERIAL	-----	APPROVE			
NUMBER	KA-970025-C	SCALE	SHEET	PAGE	CHECKED		
DATE	2008/01/03	4/1	1-3	10F2	DRAWN	吳金賢	

A B C D E F G H X