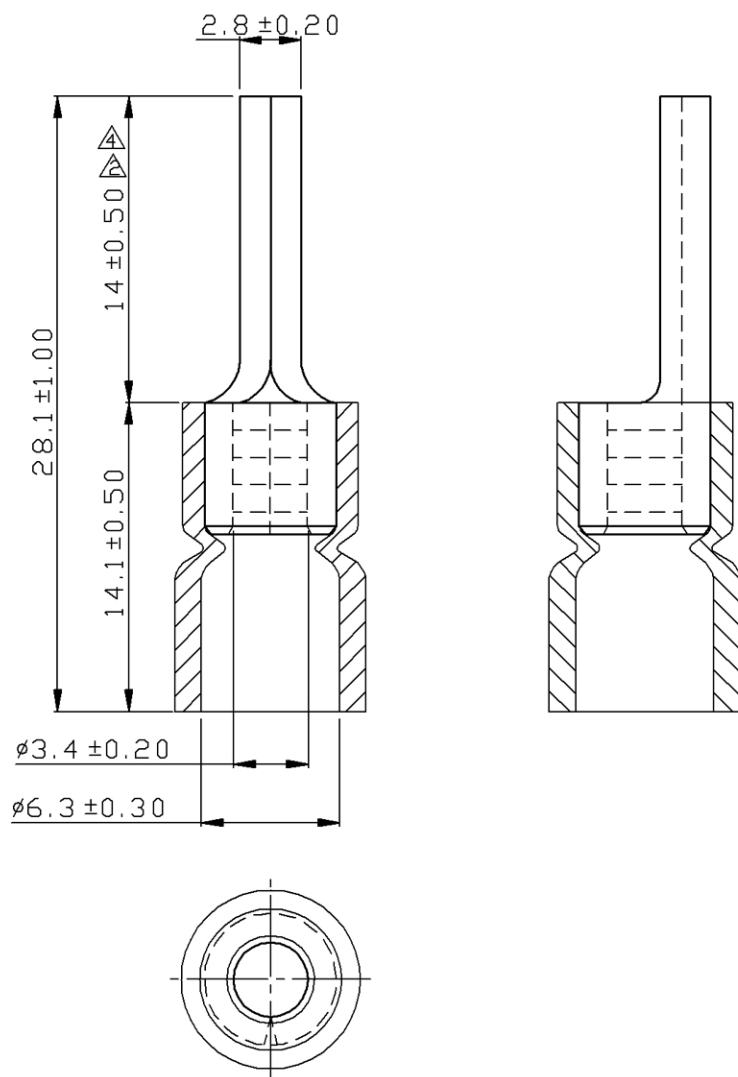


REV	DESCRIPTION	DATE
△	RDK-97048	謝婉如 2008/03/14
△	RDK-97127	張馨尹 2008/11/12
△	RDK-98020	張馨尹 2009/04/24
△	RDC-98308	謝婉如 2009/06/10



NOTE :

1. MAXIMUM ELECTRIC CURRENT : $\frac{\text{A.W.G.} \mid 12 \mid 10}{\text{AMP.} \mid 35 \mid 50}$

- △ 2. MAXIMUM ELECTRICAL RATING : 105°C 600 VOLTS MAX.
- 3. INSULATION MATERIAL : VINYL
- 4. INSULATION COLOR : YELLOW
- 5. TERMINAL MATERIAL : COPPER
- 6. WIRE RANGE : 12-10 A.W.G. (4-6 mm²)
- 7. TERMINAL SURFACE TREATMENT : TIN PLATED
- 8. TERMINAL THICKNESS : 1.0 mm

Tolerance Unless	
Otherwise Specified	
0 >	mm ±
>	mm ±
>	mm ±
>	mm ±
ANGLE	
>	° REF ±
>	° ±
>	° ±

NAME	VINYL-INSULATED (EASY ENTRY) PIN TERMINALS			UNIT	mm
PART NO.	DVP5-14	MATERIAL	-----	APPROVE	
NUMBER	KA-95706-C	SCALE	SHEET	PAGE	CHECKED
DATE	2006/06/22	3/1	1-4	10F1	DRAWN 張馨尹

INC.