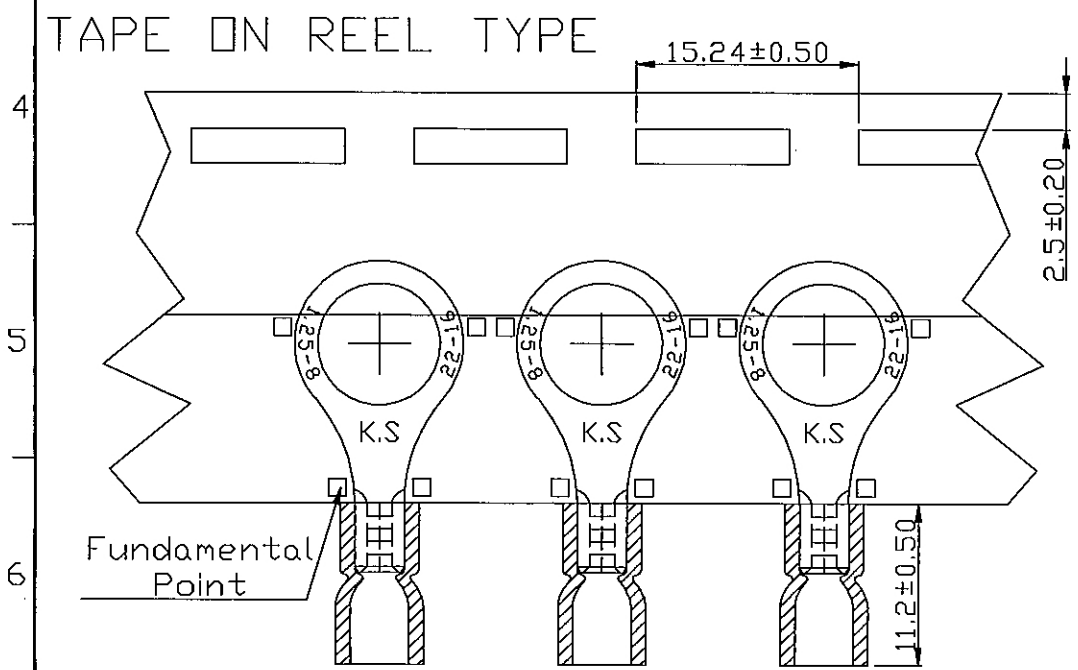
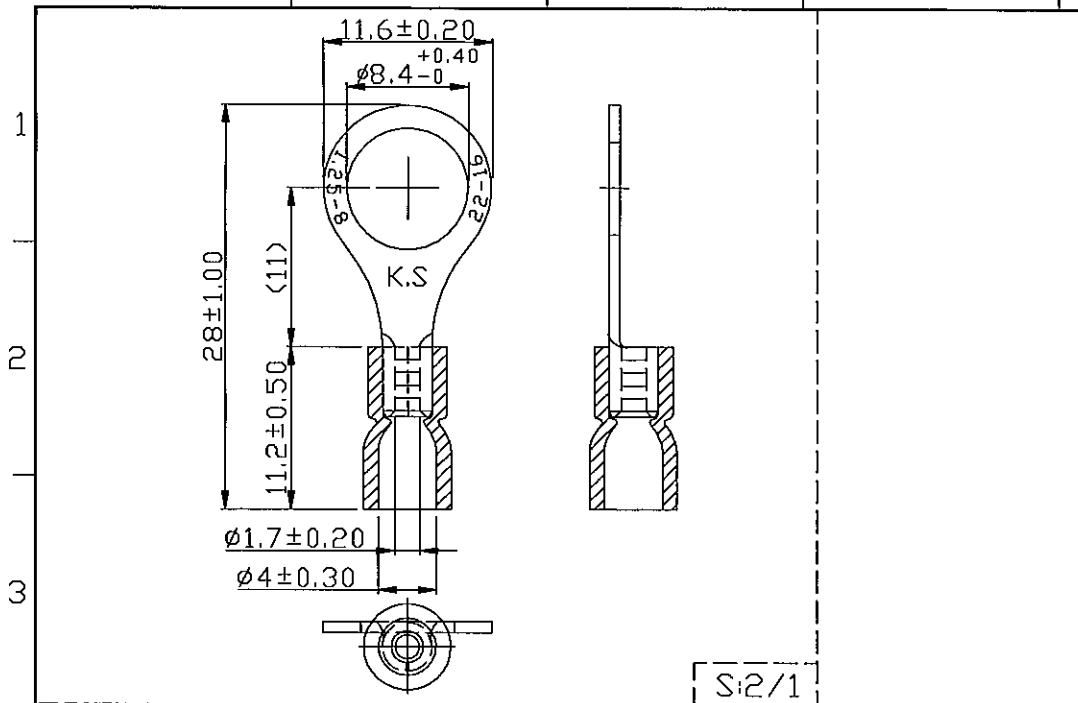


REV	DESCRIPTION	DATE
-----	-------------	------



- NOTE :
1. MAXIMUM ELECTRIC CURRENT : 

A.W.G.	22	20	18	16
AMP.	9	12	17	18
  2. MAXIMUM ELECTRICAL RATING : 105°C 600 VOLTS MAX.
  3. INSULATION MATERIAL : VINYL
  4. INSULATION COLOR : RED
  5. TERMINAL MATERIAL : COPPER
  6. WIRE RANGE : 22-16 A.W.G. ( 0.5-1.5 mm<sup>2</sup> )
  7. TERMINAL SURFACE TREATMENT : TIN PLATED
  8. TERMINAL THICKNESS : 0.75 mm
  9. ( ) : MEAN REFERENCE.

Tolerance Unless Otherwise Specified	
0 >	mm ± ANGLE
>	mm ± 0° REF ±
>	mm ± ° ±
>	mm ± ° ±

NAME	TAPE ON REEL TYPE (INSULATED & NON-INSULATED T SERIES)			UNIT	mm	⊕	⊖
PART NO.	DVR1-8R	MATERIAL	-----	APPROVE			
NUMBER	KA-108025-C	SCALE	REV. SHEET	CHECKED			
DATE	2019/11/05	2/1	1-0 10F1	DRAWN	林淑禎		