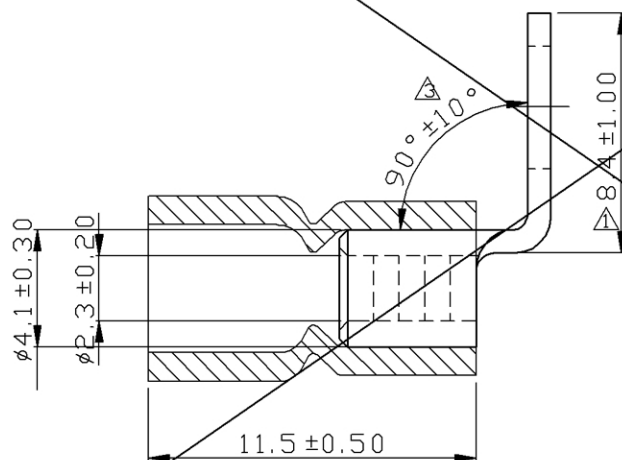
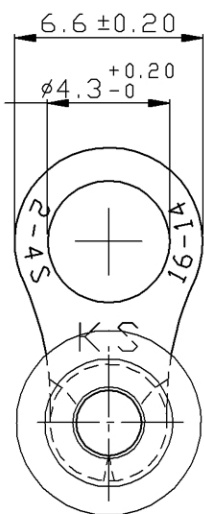


REV	DESCRIPTION	DATE
△	RDK-99134	張馨尹 2010/11/12
△	RDE-99236	張馨尹 2010/12/28
△	RDC-100009	張馨尹 2011/01/04

F 部尺寸較小，螺絲頭干涉，禁止折90°銷售



NOTE :

1. MAXIMUM ELECTRIC CURRENT : 

A.W.G.	16	14	
AMP.	18	30	
2. MAXIMUM ELECTRICAL RATING : 105°C 600 VOLTS MAX.
3. INSULATION MATERIAL : VINYL
4. INSULATION COLOR : BLUE
5. TERMINAL MATERIAL : COPPER
6. WIRE RANGE : 16-14 A.W.G. ( 1.5-2.5 mm<sup>2</sup> )
7. TERMINAL SURFACE TREATMENT : TIN PLATED
8. TERMINAL THICKNESS : 0.80 mm

Tolerance Unless Otherwise Specified	
0 >	mm ± ANGLE
>	mm ± 0° ° REF ±
>	mm ± ° ° ±
>	mm ± ° ° ±

NAME	VINYL-INSULATED (EASY ENTRY) RING TERMINALS			UNIT	
PART NO.	DVR2-4-90	MATERIAL	-----	APPROVE	
NUMBER	KA-990063-C	SCALE	SHEET PAGE	CHECKED	
DATE	2010/03/18	4/1	1-3 10F2	DRAWN	謝婉如