

1

2

3

4

A

A

B

B

C

C

D

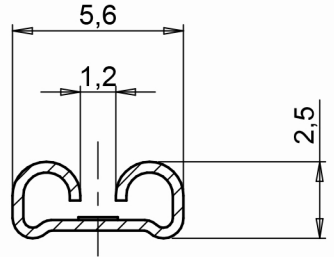
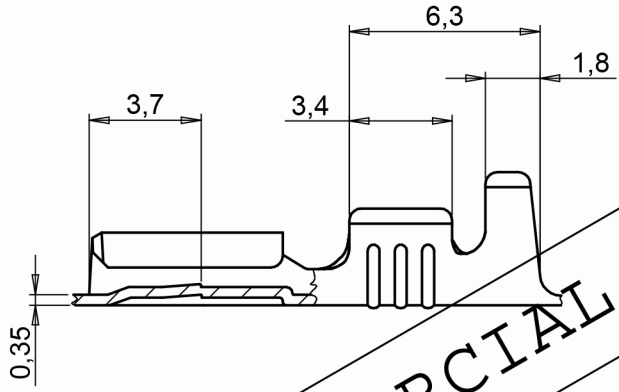
D

E

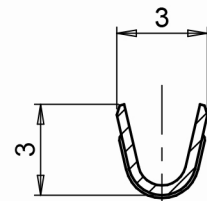
E

F

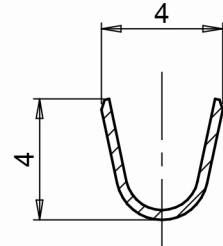
F



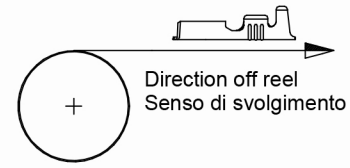
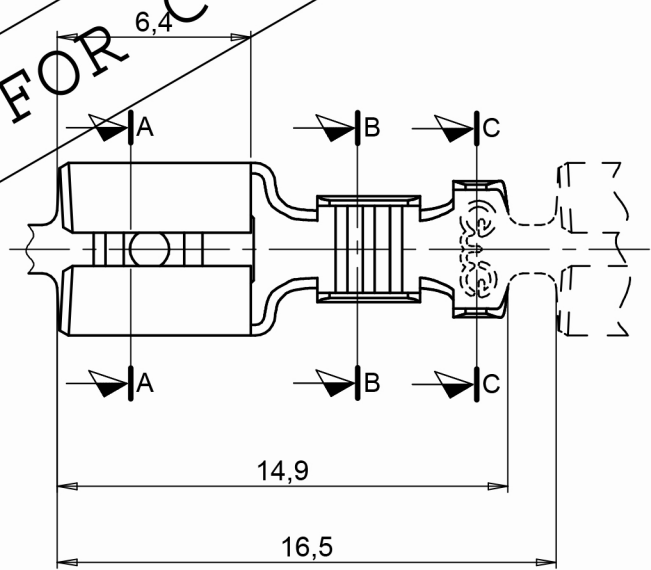
Sez. A-A



Sez. B-B



Sez. C-C



COPY FOR COMMERCIAL USE

Code 30039.52.00.1	Material CuZn Brass / Ottone	Treatment
Code 30039.52.08.1	Material CuZn Brass / Ottone	Treatment Pre-Tin Plated / Prestagnato

Design Betella E.	Date / Data 25-07-91
Checked on	Date / Data

	Scale/Scala <b>4:1</b>
Description/Denominazione <b>FASTON FEMMINA</b> 4,8X0,8	Wire range/Sez. 0,5 - 1 mm <sup>2</sup> AWG 20-18

Drawing / Disegno <b>30039</b>
Ref./Rif.

1

2

3

4