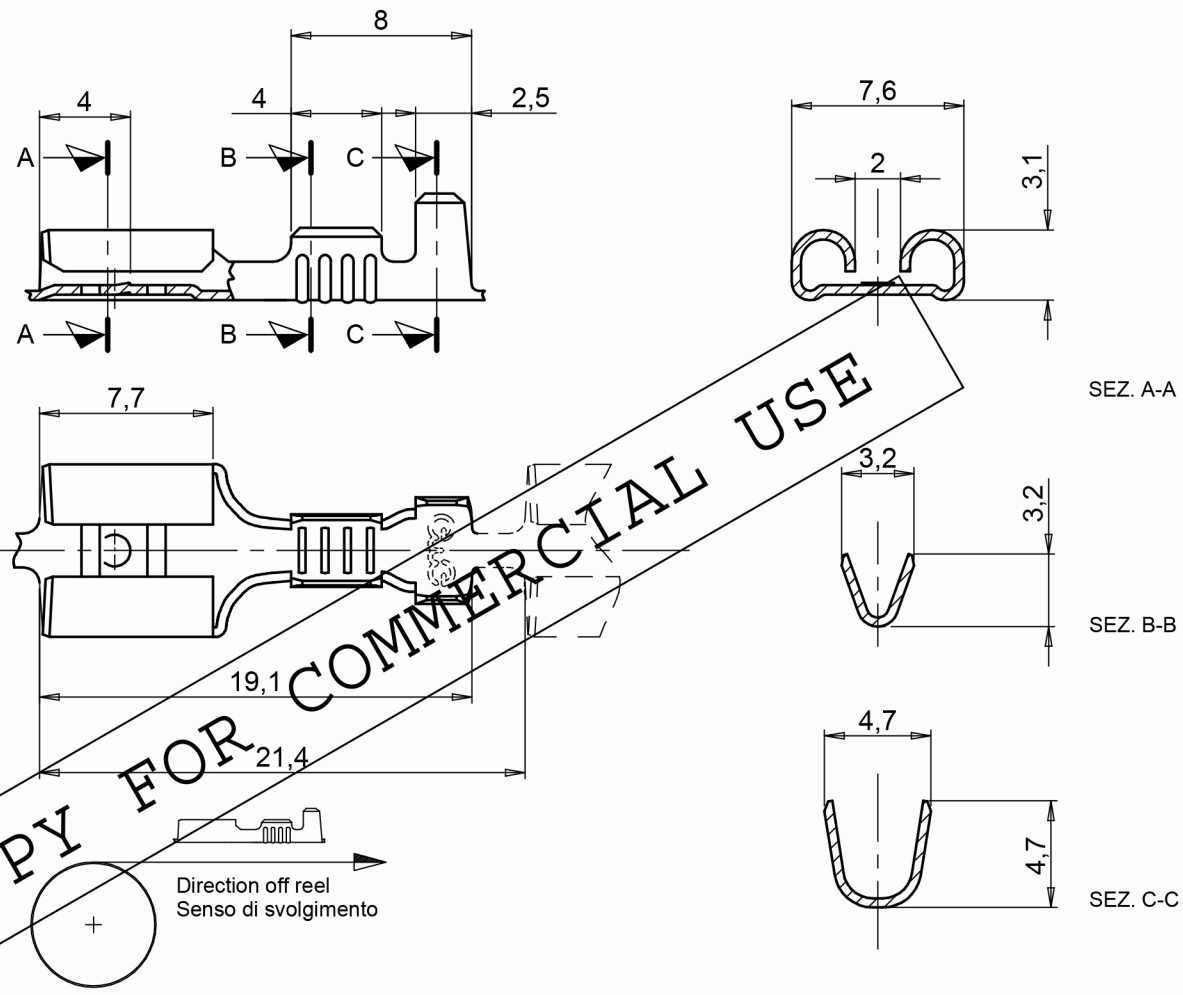


1 2 3 4

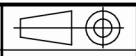
A
B
C
D
E
F



COPY FOR COMMERCIAL USE

Code 30000.04.00.1	Material (AISI 430) X6Cr17 INOX	Treatment
Code 30000.40.01.1	Material Steel / Acciaio	Treatment Nickel Plated / Nichelatura
Code 30000.52.00.0	Material CuZn Brass / Ottone	Treatment
Code 30000.52.00.1	Material CuZn Brass / Ottone	Treatment
Code 30000.52.02.0	Material CuZn Brass / Ottone	Treatment Tin plated / Stagnatura
Code 30000.52.02.1	Material CuZn Brass / Ottone	Treatment Tin plated / Stagnatura

Design Bettella E. Date / Data 25-09-90



Scale/Scala

3:1

Description/Denominazione
**FASTON FEMMINA
6,3x0,8**

Wire range/Sez. 0.5-1 mm²
AWG 20 - 18

Drawing / Disegno

30000

Ref./Rif.

1 2 3 4