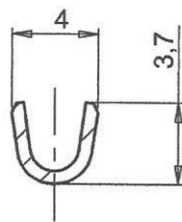
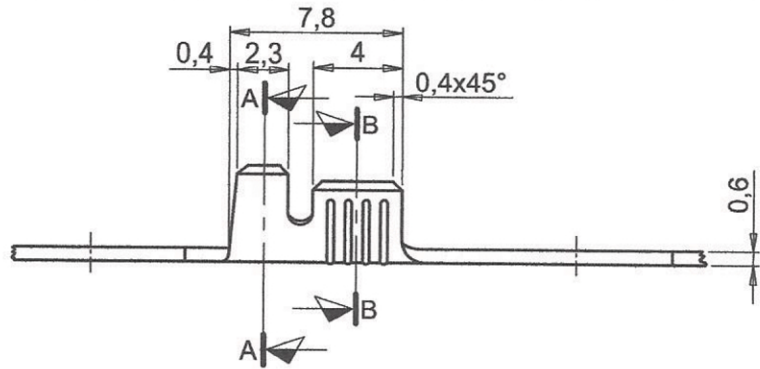
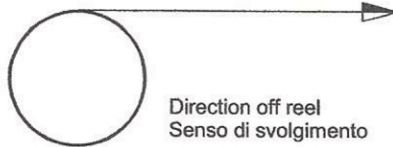
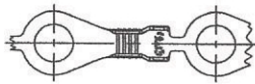
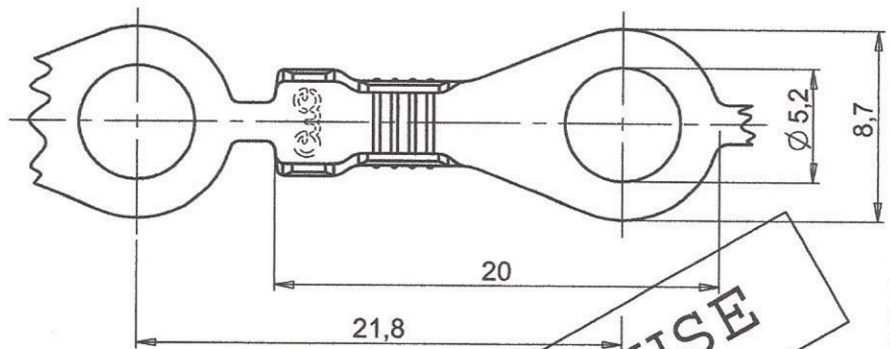


Sez. A-A



Sez. B-B

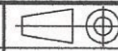


COPY FOR COMMERCIAL USE

Code 32001.53.00.1	Material CuZn Brass / Ottone	Treatment
Code 32001.51.00.0	Material CuZn Brass / Ottone	Treatment
Code 32001.51.00.1	Material CuZn Brass / Ottone	Treatment
Code 32001.51.02.1	Material CuZn Brass / Ottone	Treatment Tin plated / Stagnatura

Design Puschiavo L. Date / Data 26-06-89

Checked on Date / Data



Scale/Scala

3:1

Description/Denominazione

CONNESSIONE
AD OCCHIELLO

Wire range/Sez. 0,5-2 mm²
AWG 20-14

Drawing / Disegno

32001

Def / Dif