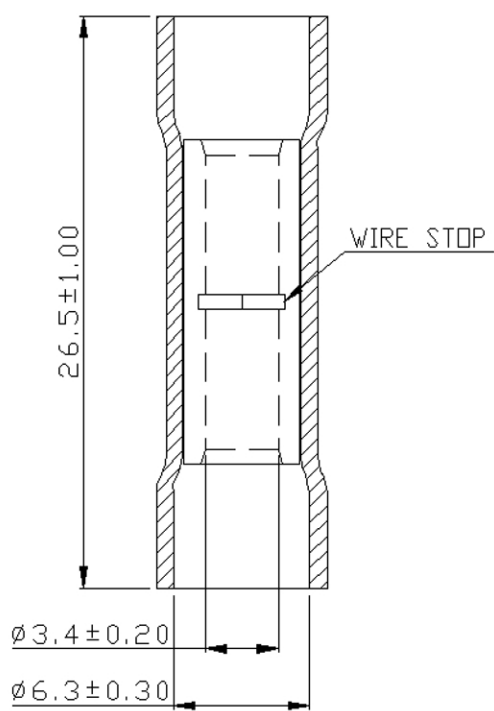


A	B	C	D	E	F	G	H	X
REV	DESCRIPTION						DATE	



NOTE:

1. MAXIMUM ELECTRIC CURRENT : 

A.W.G.	12	10	
AMP.	35	50	
2. MAXIMUM ELECTRICAL RATING : 75°C 600 VOLTS MAX.
3. INSULATION MATERIAL : VINYL
4. INSULATION COLOR : YELLOW
5. CONNECTOR MATERIAL : COPPER TUBULAR
6. WIRE RANGE : 12-10 A.W.G.( 4-6 mm<sup>2</sup>)
7. TERMINALS SURFACE TREATMENT : TIN PLATED

Tolerance Unless Otherwise Specified	
0 > 6 mm ± 0.20	ANGLE
6 > 18 mm ± 0.30	0° REF ±
18 > 30 mm ± 0.40	° ±
30 > 75 mm ± 0.50	° ±

NAME	VINYL-INSULATED BUTT SPLICE CONNECTORS			UNIT	mm	
PART NO.	VBT5	MATERIAL	-----	APPROVE	张馨尹	
NUMBER	KA-95825-C	SCALE	SHEET	PAGE	CHECKED	张馨尹
DATE	2006/07/14	3/1	1-0	10F1	DRAWN	张馨尹

A	B	C	D	E	F	G	H	X
---	---	---	---	---	---	---	---	---