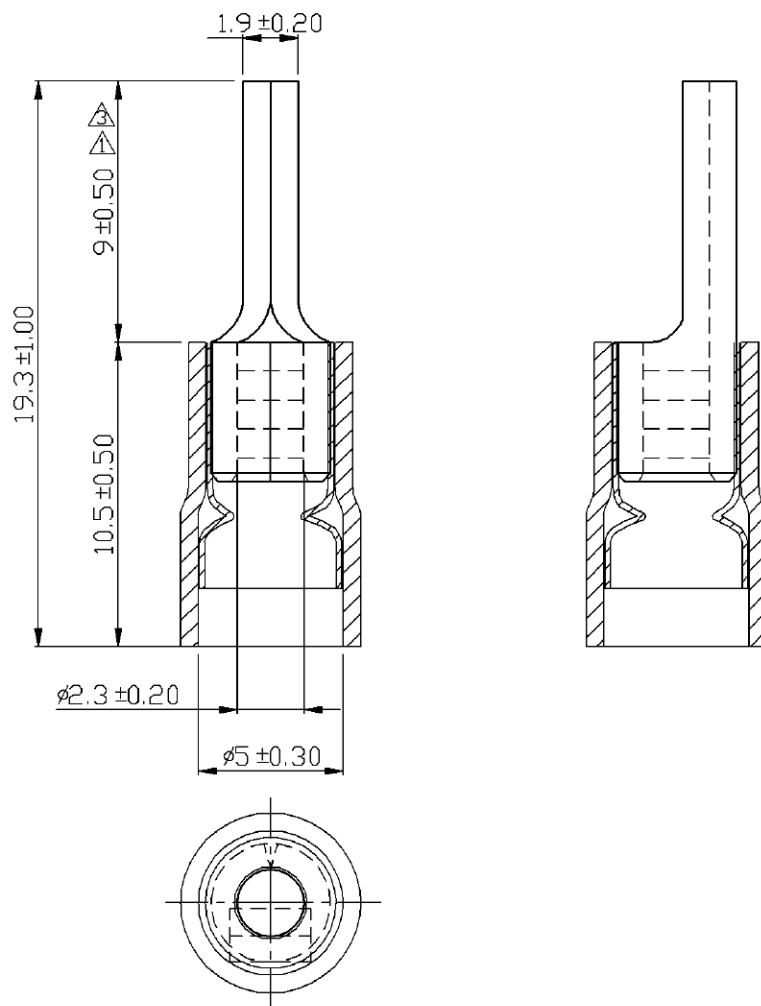


REV	DESCRIPTION	DATE
△	RDK-97127	張馨尹 2008/11/12
△	RDK-98020	謝婉如 2009/06/15
△	RDC-98308	謝婉如 2009/06/15
△	RDC-99217	張馨尹 2010/06/29



NOTE :

- MAXIMUM ELECTRIC CURRENT : 

A.W.G.	16	14		
AMP.	18	30		
- MAXIMUM ELECTRICAL RATING : 105°C 600 VOLTS MAX.
- INSULATION MATERIAL : VINYL
- INSULATION COLOR : BLUE
- TERMINAL MATERIAL : COPPER
- WIRE RANGE : 16-14 A.W.G. ( 1.5-2.5 mm<sup>2</sup> )
- DOUBLE CRIMP : WITH COPPER SLEEVE ON BARREL
- TERMINAL SURFACE TREATMENT : TIN PLATED
- TERMINAL THICKNESS : 0.80 mm

△ Tolerance Unless	
□ Otherwise Specified	
0 >	mm ± ANGLE
>	mm ± 0° ° REF ±
>	mm ± ° ° ±
>	mm ± ° ° ±

NAME	VINYL-INSULATED DOUBLE CRIMP PTD TERMINALS			UNIT	mm	
PART NO.	VDPN2-9	MATERIAL	-----	APPROVE		
NUMBER	KA-961220-C	SCALE	SHEET	PAGE	CHECKED	
DATE	2007/11/20	4/1	1-4	10F1	DRAWN	張馨尹