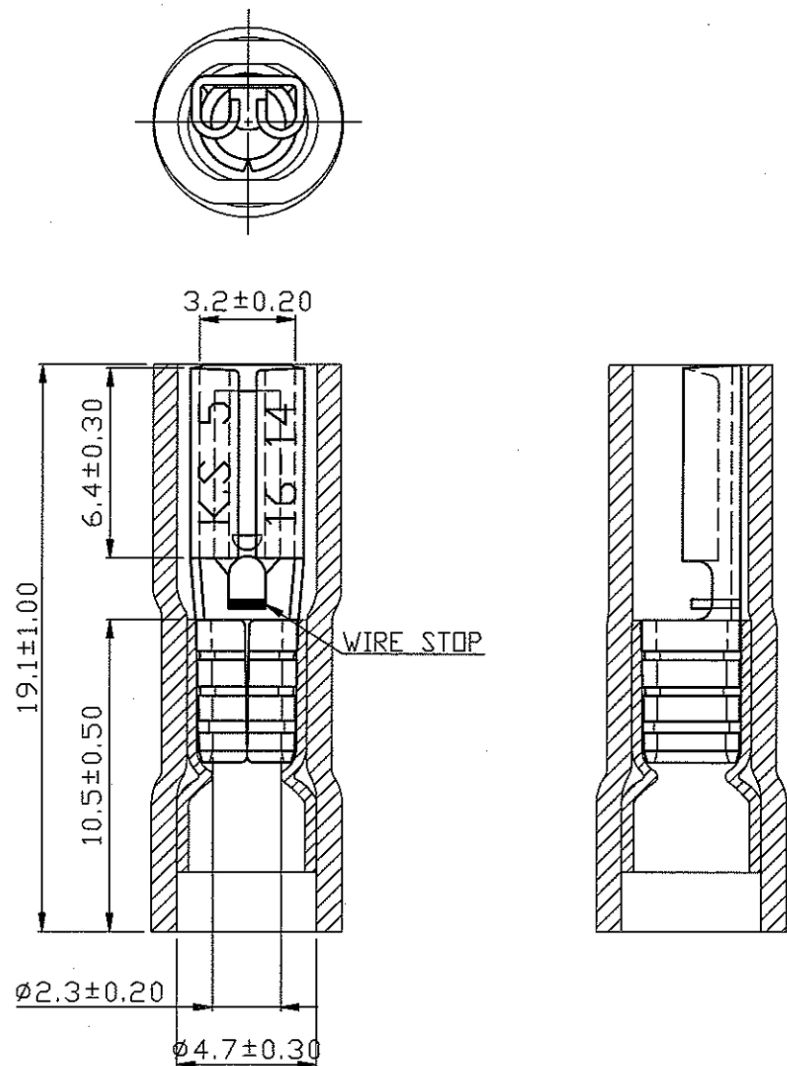


REV	DESCRIPTION	DATE
△ RDK-96131		張馨尹 2008/01/10



NOTE :

- MAXIMUM ELECTRIC CURRENT :

A.W.G.	16	14	
AMP.	10	15	
- MAXIMUM ELECTRICAL RATING : [△] 105°C 600 VOLTS MAX.
- INSULATION MATERIAL : VINYL
- INSULATION COLOR : BLUE
- TERMINAL MATERIAL : BRASS
- WIRE RANGE : 16-14 A.W.G. (1.5-2.5 mm²)
- NEMA TAB : 0.020 inch * 0.110 inch (0.5 mm * 2.80 mm)
- DOUBLE CRIMP : WITH COPPER SLEEVE ON BARREL
- TERMINAL SURFACE TREATMENT : TIN PLATED
- TERMINAL THICKNESS : 0.30 mm

Tolerance Unless Otherwise Specified	
0 > 6 mm ± 0.20	ANGLE
6 > 18 mm ± 0.30	0° > ° REF ±
18 > 30 mm ± 0.40	> ° ±
30 > 75 mm ± 0.50	> ° ±

NAME	VINYL-FULLY INSULATED DOUBLE CRIMP FEMALE DISCONNECTORS			UNIT	張馨尹
PART NO.	VFF2-110-5	MATERIAL	-----	APPROVE	張馨尹
NUMBER	KA-95164-C	SCALE	SHEET PAGE	CHECKED	張馨尹
DATE	2006/03/29	4/1	1-1	10F2	DRAWN 張馨尹