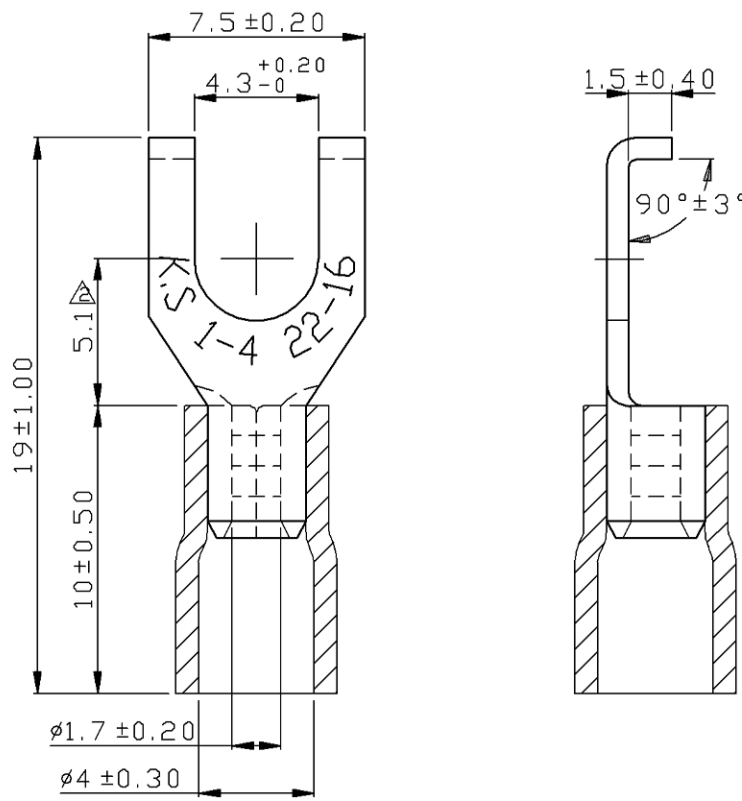


A B C D E F G H X

REV	DESCRIPTION	DATE
△	RDK-97048	謝婉如 2008/06/18
△	RDK-97127	張馨尹 2009/08/13
△	RDK-98020	張馨尹 2009/08/13



- NOTE :
1. MAXIMUM ELECTRIC CURRENT : 

A.W.G.	22	20	18	16
AMP.	9	12	17	18
  2. MAXIMUM ELECTRICAL RATING : 105°C 600 VOLTS MAX.
  3. INSULATION MATERIAL : VINYL
  4. INSULATION COLOR : RED
  5. TERMINAL MATERIAL : COPPER
  6. WIRE RANGE : 22-16 A.W.G. ( 0.5-1.5 mm<sup>2</sup> )
  7. TERMINAL SURFACE TREATMENT : TIN PLATED
  8. TERMINAL THICKNESS : 0.75 mm

△ Tolerance Unless	
Otherwise Specified	
0 >	mm ± ANGLE
>	mm ± 0° > ° REF ±
>	mm ± ° > ° ±
>	mm ± ° > ° ±

NAME	VINYL-INSULATED FLANGE SPADE TERMINALS				UNIT	mm	
PART NO.	VFSS1-4	MATERIAL	-----	APPROVE			
NUMBER	KA-951762-C	SCALE	SHEET	PAGE	CHECKED		
DATE	2007/08/24	4/1	1-3	10F2	DRAWN	謝婉如	

A B C D E F G H X