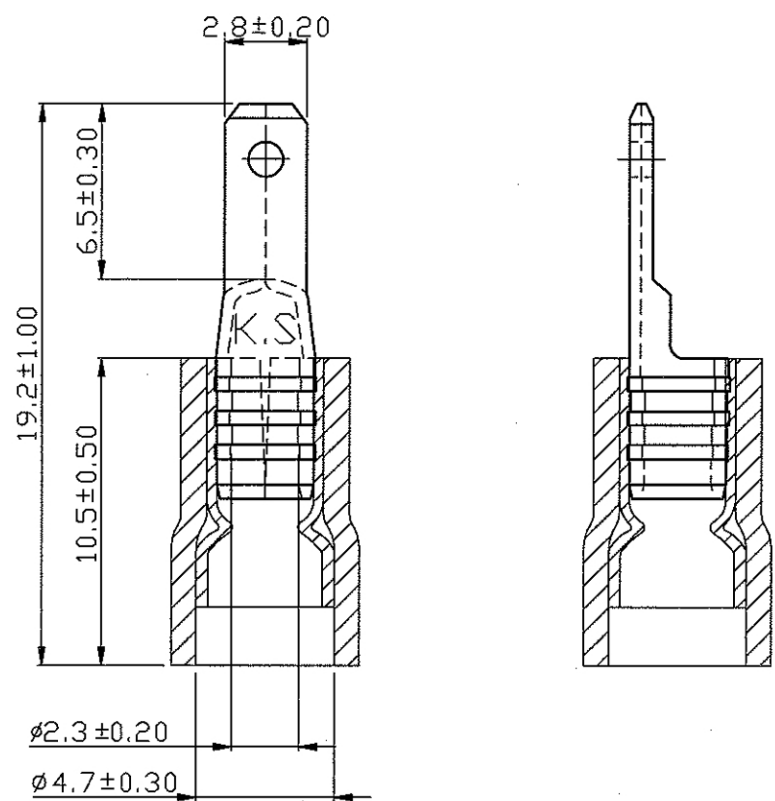


REV	DESCRIPTION	DATE
△	RDK-96131	張馨尹 2008/01/10



NOTE :

1. MAXIMUM ELECTRIC CURRENT :

A.W.G.	16	14	
AMP.	10	15	
2. MAXIMUM ELECTRICAL RATING : 105°C 600 VOLTS MAX.
3. INSULATION MATERIAL : VINYL
4. INSULATION COLOR : BLUE
5. TERMINAL MATERIAL : BRASS
6. WIRE RANGE : 16-14 A.W.G. (1.5-2.5 mm²)
7. NEMA TAB : 0.032 inch * 0.110 inch (0.8 mm * 2.80 mm)
8. DOUBLE CRIMP : WITH COPPER SLEEVE ON BARREL
9. TERMINAL SURFACE TREATMENT : TIN PLATED
10. TERMINAL THICKNESS : 0.40 mm

Tolerance Unless Otherwise Specified	
0 > 6 mm ± 0.20	ANGLE
6 > 18 mm ± 0.30	0° REF ±
18 > 30 mm ± 0.40	° ±
30 > 75 mm ± 0.50	° ±

NAME	VINYL-INSULATED DOUBLE CRIMP MALE DISCONNECTORS			UNIT	個	⊕	□
PART NO.	VM2-110-8	MATERIAL	-----	APPROVE	張馨尹		
NUMBER	KA-96010-C	SCALE	SHEET	PAGE	CHECKED	張馨尹	
DATE	2007/01/04	4/1	1-1	10F2	DRAWN	張馨尹	