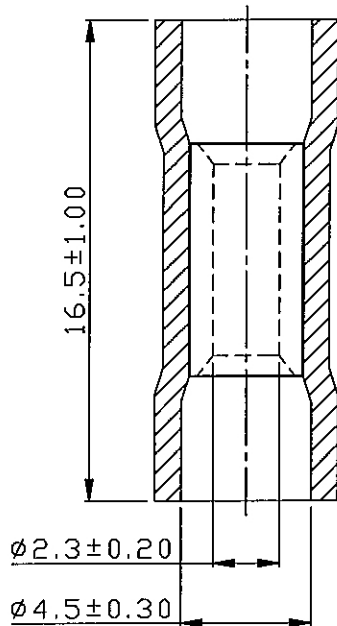


REV	DESCRIPTION	DATE
△	RDCM-105052	林桂麗 2016/03/17



- NOTE:
- △ 1. MAXIMUM ELECTRIC CURRENT :

A.W.G.	16
AMP.	18
 - 2. MAXIMUM ELECTRICAL RATING : 75°C 600 VOLTS MAX.
 - 3. INSULATION MATERIAL : VINYL
 - 4. INSULATION COLOR : BLUE
 - 5. CONNECTOR MATERIAL : COPPER TUBULAR
 - △ 6. WIRE RANGE : 16A.W.G. *2
 - 7. TERMINALS SURFACE TREATMENT : TIN PLATED

Tolerance Unless Otherwise Specified	
0 > 6 mm ± 0.20	ANGLE
6 > 18 mm ± 0.30	0° REF ±
18 > 30 mm ± 0.40	±
30 > 75 mm ± 0.50	±

NAME	VINYL-INSULATED PARALLEL CONNECTORS			UNIT	mm	
PART NO.	VPL2	MATERIAL	-----	APPROVE		
NUMBER	KA-95863-C	SCALE	SHEET	PAGE	CHECKED	
DATE	2006/07/20	4/1	1-1	10F1	DRAWN	張馨尹