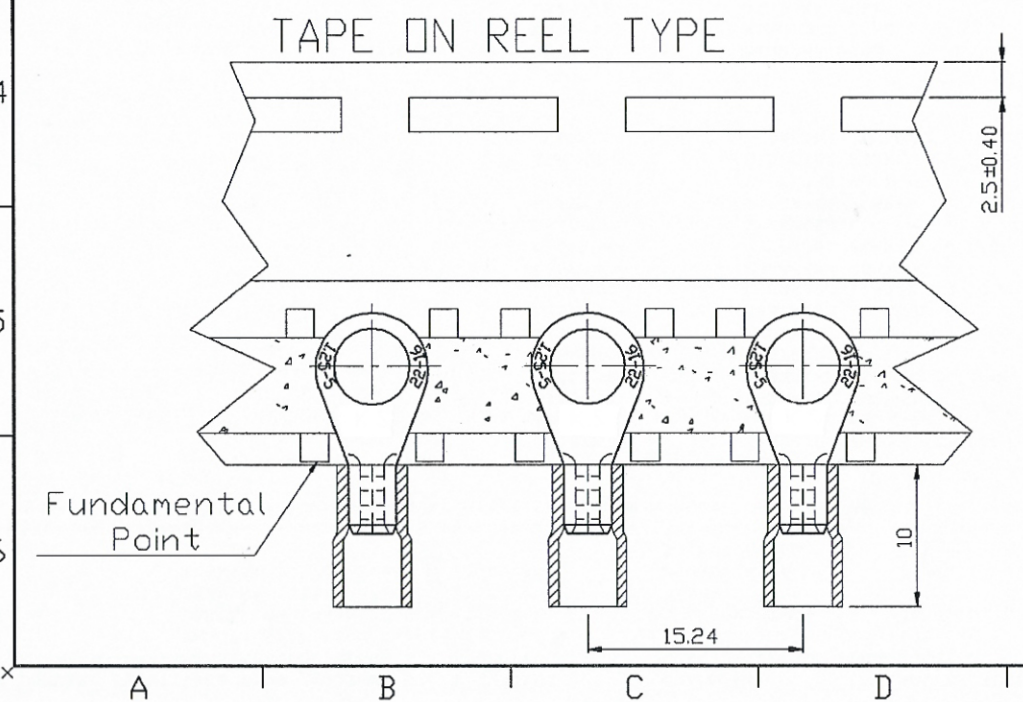


REV	DESCRIPTION	DATE
△	RDK-97048	2009/04/13
△	RDK-97127	2009/04/13
△	RDK-98020	2009/04/13

- NOTE :
1. MAXIMUM ELECTRIC CURRENT :

A.W.G.	22	20	18	16
AMP.	9	12	17	18
 2. MAXIMUM ELECTRICAL RATING : 105°C 600 VOLTS MAX.
 3. INSULATION MATERIAL : VINYL
 4. INSULATION COLOR : RED
 5. TERMINAL MATERIAL : COPPER
 6. WIRE RANGE : 22-16 A.W.G. (0.5-1.5 mm²)
 7. TERMINAL SURFACE TREATMENT : TIN PLATED
 8. TERMINAL THICKNESS : 0.75 mm



△ Tolerance Unless Otherwise Specified	
0 >	mm ± ANGLE
>	mm ± 0° ° REF ±
>	mm ± ° ° ±
>	mm ± ° ° ±

NAME	TAPE ON REEL TYPE (INSULATED & NON-INSULATED T SERIES)			UNIT	
PART NO.	VR1-5R	MATERIAL	-----	APPROVE	
NUMBER	KA-980177-C	SCALE	SHEET	PAGE	CHECKED
DATE	2009/04/13	2/1	1-3	1 OF 2	DRAWN