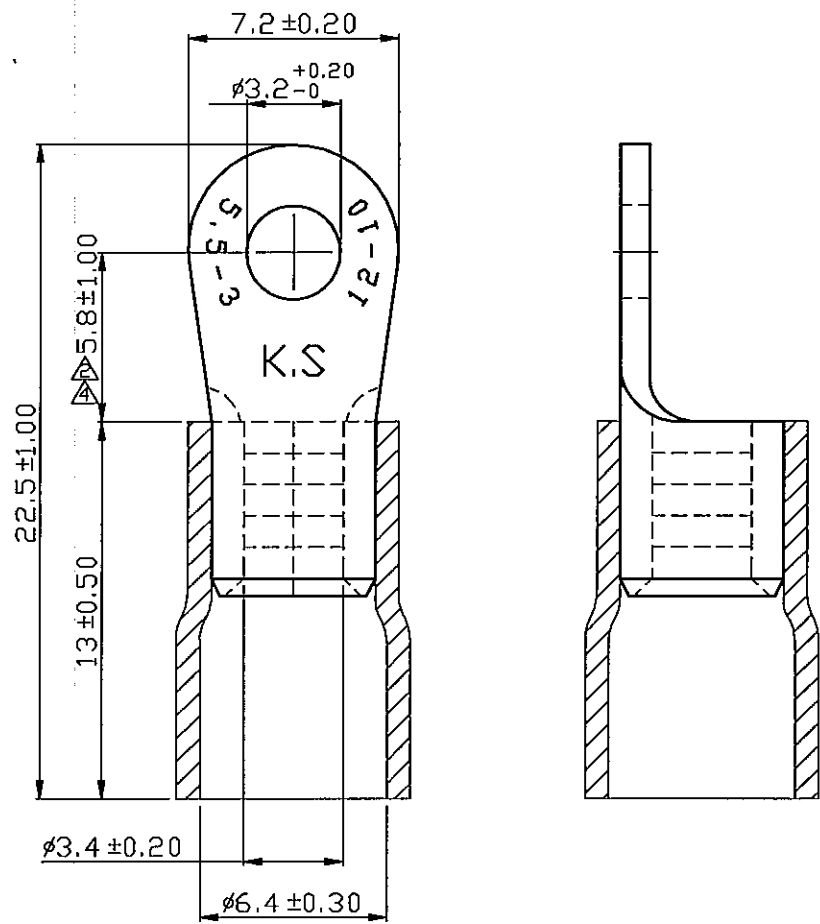


REV	DESCRIPTION	DATE
△	RDK-97048	張馨尹 2008/05/30
△	RDK-97127	謝婉如 2009/04/27
△	RDK-98020	謝婉如 2009/04/27
△	RDCM-106157	林淑禎 2017/09/22



- NOTE:
1. MAXIMUM ELECTRIC CURRENT :

A.W.G.	12	10	
AMP.	35	50	
 2. MAXIMUM ELECTRICAL RATING : 105°C 600 VOLTS MAX.
 3. INSULATION MATERIAL : VINYL
 4. INSULATION COLOR : YELLOW
 5. TERMINAL MATERIAL : COPPER
 6. WIRE RANGE : 12-10 A.W.G.(4-6 mm²)
 7. TERMINAL SURFACE TREATMENT : TIN PLATED
 8. TERMINAL THICKNESS : 1.00 mm

△	Tolerance Unless
□	Otherwise Specified
0 >	mm ±
>	mm ±
>	mm ±
>	mm ±
	ANGLE
	REF ±
	±
	±

NAME	VINYL-INSULATED RING TERMINALS				UNIT	mm	
PART NO.	VR5-32	MATERIAL	-----	APPROVE			
NUMBER	KA-951520-C	SCALE	SHEET	PAGE	CHECKED		
DATE	2006/09/28	4/1	1-4	10F1	DRAWN	張馨尹	

