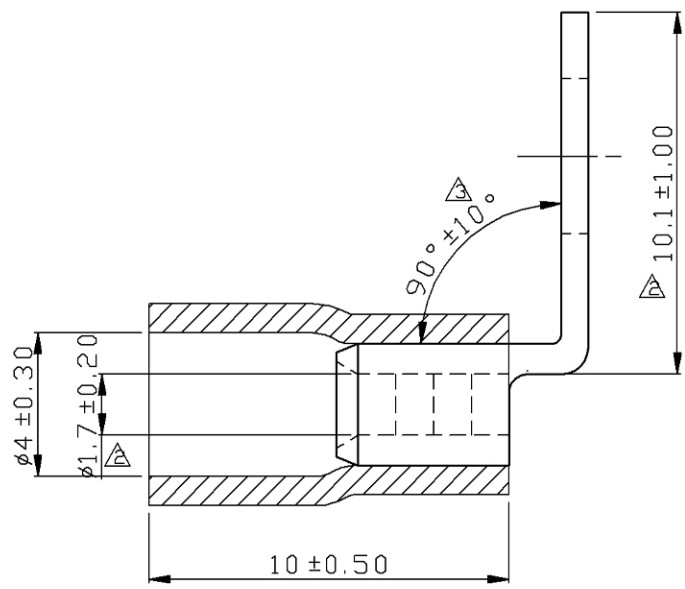
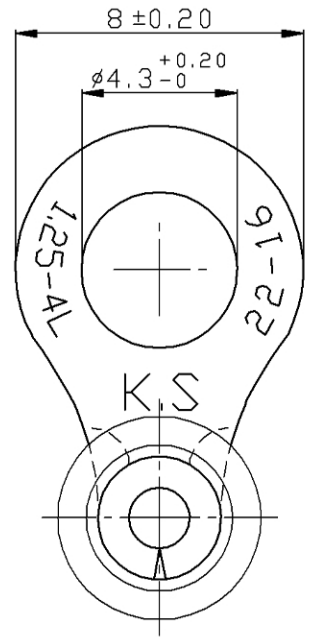


A B C D E F G H X

REV	DESCRIPTION	DATE
△	RDK-98020	謝婉如 2009/04/13
△	RDK-99134	張馨尹 2010/12/29
△	RDC-100009	張馨尹 2011/01/04



NOTE :

1. MAXIMUM ELECTRIC CURRENT : 

A.W.G.	22	20	18	16
AMP.	9	12	17	18
2. MAXIMUM ELECTRICAL RATING : 105°C 600 VOLTS MAX.
3. INSULATION MATERIAL : VINYL
4. INSULATION COLOR : RED
5. TERMINAL MATERIAL : COPPER
6. WIRE RANGE : 22-16 A.W.G. ( 0.5-1.5 mm<sup>2</sup> )
7. TERMINAL SURFACE TREATMENT : TIN PLATED
8. TERMINAL THICKNESS : 0.75 mm

△	Tolerance Unless
□	Otherwise Specified
0 >	mm ±
>	mm ±
>	mm ±
>	mm ±

NAME	VINYL-INSULATED RING TERMINALS				UNIT	mm
PART NO.	VRL1-4-90-MIDAS	MATERIAL	----	APPROVE	[Signature]	
NUMBER	KA-970713-C	SCALE	SHEET	PAGE	CHECKED	[Signature]
DATE	2008/08/20	5/1	1-3	10F2	DRAWN	張馨尹

A B C D E F G H X