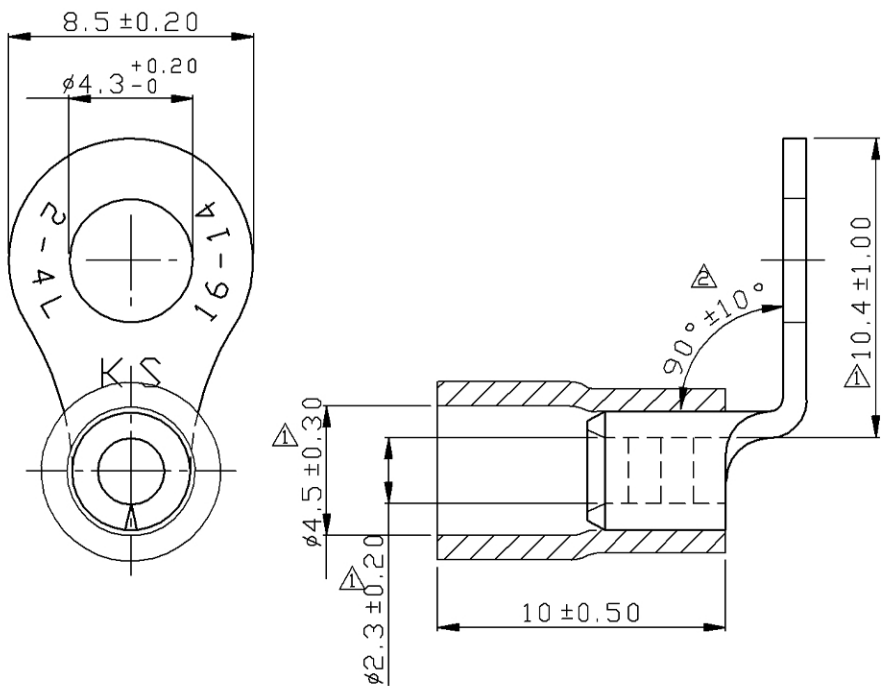


A B C D E F G H X

REV	DESCRIPTION	DATE
△	RDK-99134	張馨尹 2010/11/11
△	RDC-100009	張馨尹 2011/01/04

1
2
3
4
5
6



NOTE :

1. MAXIMUM ELECTRIC CURRENT :

A.W.G.	16	14	
AMP.	18	30	
2. MAXIMUM ELECTRICAL RATING : 105°C 600 VOLTS MAX.
3. INSULATION MATERIAL : VINYL
4. INSULATION COLOR : BLUE
5. TERMINAL MATERIAL : COPPER
6. WIRE RANGE : 16-14 A.W.G. (1.5-2.5 mm²)
7. TERMINAL SURFACE TREATMENT : TIN PLATED
8. TERMINAL THICKNESS : 0.8 mm

Tolerance Unless Otherwise Specified	
0 > 6 mm ± 0.20	ANGLE
6 > 18 mm ± 0.30	0° ° REF ±
18 > 30 mm ± 0.40	° ° ±
30 > 75 mm ± 0.50	° ° ±

NAME	VINYL-INSULATED RING TERMINALS				UNIT	mm
PART NO.	VRL2-4-90-MIDAS	MATERIAL	-----	APPROVE		
NUMBER	KA-970714-C	SCALE	SHEET PAGE	CHECKED		
DATE	2008/08/20	4/1	1-2 10F2	DRAWN	張馨尹	

A B C D E F G H X