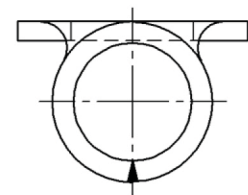
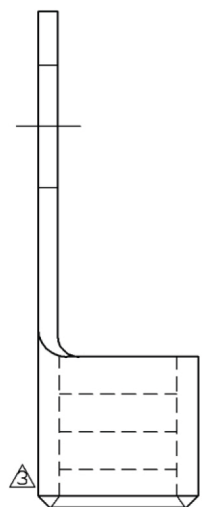
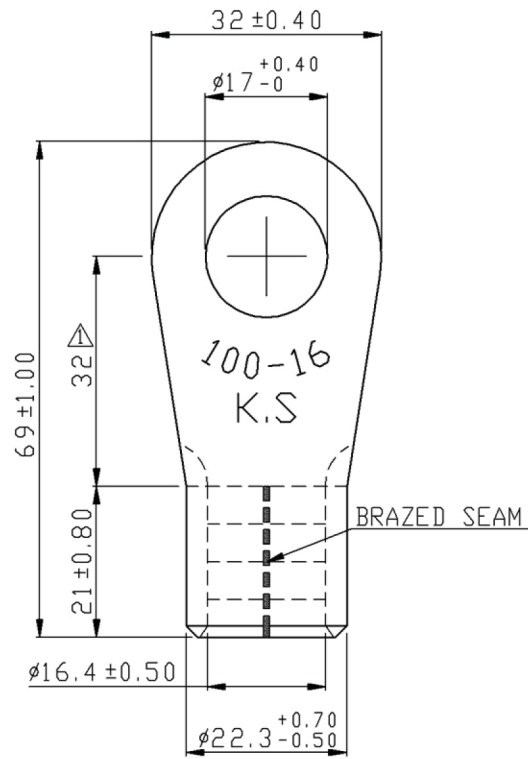


A B C D E F G H X

REV	DESCRIPTION	DATE
△	RDK-97127	謝婉如 2008/09/30
△	RDK-98020	張馨尹 2009/09/10
△	RDC-100286	張馨尹 2011/08/25



- NOTE :
1. MAXIMUM ELECTRIC CURRENT :

A.W.G.	4/0		
AMP.	360		
 2. WIRE RANGE : 4/0 A.W.G. (100 mm²)
 3. SURFACE TREATMENT : TIN PLATED
 4. THICKNESS : 2.7 mm

Tolerance Unless Otherwise Specified	
0 >	mm ± ANGLE
>	mm ± 0° REF ±
>	mm ± ° ±
>	mm ± ° ±

NAME	NON-INSULATED RING TERMINALS				UNIT	mm
PART NO.	DR95 -16	MATERIAL	COPPER	APPROVE		
NUMBER	KT-93400-C	SCALE	SHEET	PAGE	CHECKED	
DATE	2006/03/22	1/1	1-3	10F2	DRAWN	張馨尹

A B C D E F G H X