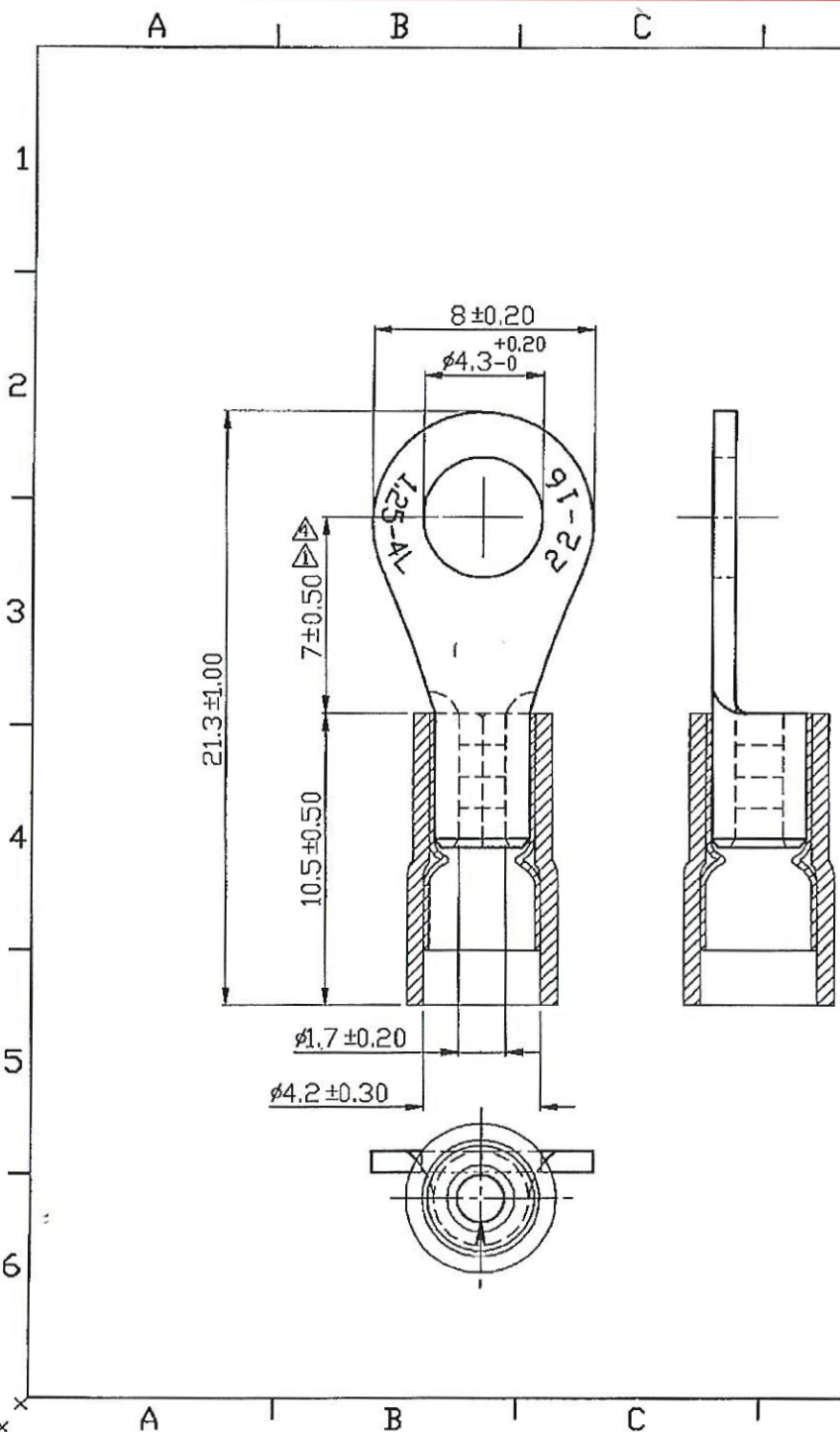


REV	DESCRIPTION	DATE
△	RDK-97127	2009/08/25
△	RDK-98020	2009/08/25
△	RDC-99217	2010/06/18
△	RDCM-106011	2017/03/28



NOTE :

1. MAXIMUM ELECTRIC CURRENT :

A.W.G.	22	20	18	16
AMP.	9	12	17	18

- △ 2. MAXIMUM ELECTRICAL RATING : 105°C 600 VOLTS MAX.
- 3. INSULATION MATERIAL : VINYL
- 4. INSULATION COLOR : RED
- 5. TERMINAL MATERIAL : COPPER
- 6. WIRE RANGE : 22-16 A.W.G. (0.5-1.5 mm²)
- 7. DOUBLE CRIMP : WITH COPPER SLEEVE ON BARREL
- 8. TERMINAL SURFACE TREATMENT : TIN PLATED
- 9. TERMINAL THICKNESS : 0.75 mm

△ Tolerance Unless Otherwise Specified	
0 >	mm ±
>	mm ±
>	mm ±
>	mm ±
>	mm ±
	ANGLE
	° REF ±
	° ±
	° ±

NAME	VINYL-INSULATED DOUBLE CRIMP RING TERMINALS				UNIT	mm	
PART NO.	VDRL1-4	MATERIAL	-----	APPROVE			
NUMBER	KA-94240-C	SCALE	SHEET	PAGE	CHECKED		
DATE	2007/03/22	4/1	1-4	10F1	DRAWN		